



ESK 油/水热交换器 Oil/Water Heat Exchanger ESK

旋入式热交换器 Screw-in Heat Exchanger

- 冷却表面积 0,018 – 0,911 m²
- 旋入螺纹 G 1½" 或 2"
- 设计紧凑
- 可用通用扳手安装

- Cooling surfaces from 0.018 – 0.911 m²
- Screw-in into threadings G 1½" or 2"
- Compact design
- To be mounted using allen wrench

这种紧凑型冷却器可以旋入现有的螺纹孔内，例如，替换齿轮箱，管系统和液压油箱的旋入式加热器。冷却性能取决于冷却管外介质流速。当处于振动环境中，ESK需要加支撑。相关具体信息请垂询。

This compact cooling solution can be screwed into an existing threading, for example, instead of screw-in heating elements in gear units, piping systems and hydraulic tanks. The cooling performance varies depending upon the flow rate around the cooling pipe. The ESK must be braced when exposed to vibrations. Please consult us for related specific information.

技术数据 Technical Data

最大工作压力: 16 bar, *Max. operating pressure 16 bar*;
 最大工作温度: +105 °C, *Max. operating temperature +105 °C*
 短时间可承受最高温度: +160 °C, *temporarily up to +160 °C*
 最低温度: -30 °C, *Minimum temperature -30 °C*

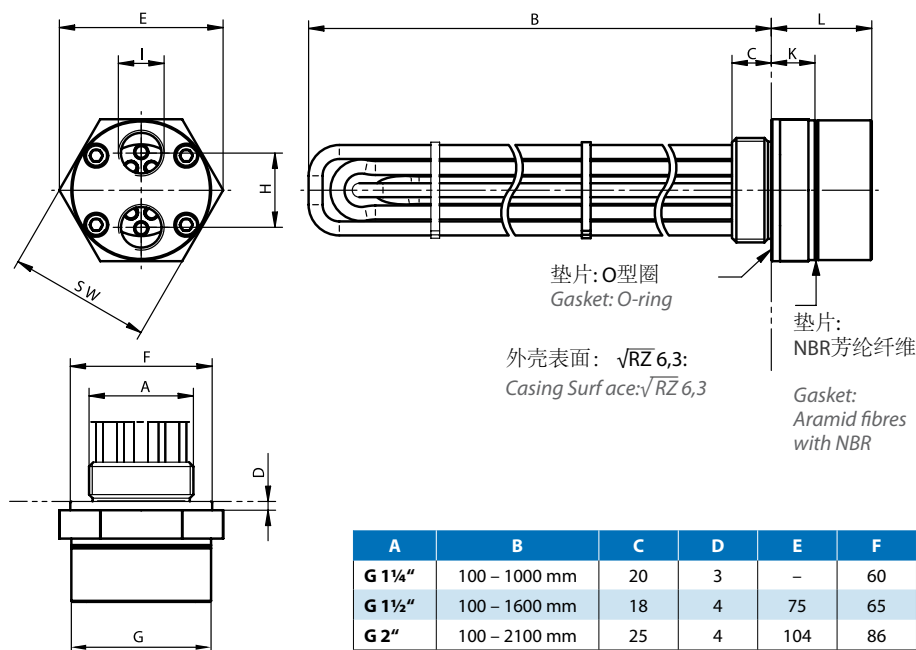
交货包括 Included in delivery

旋入式冷却器带O型垫片
Screw-in cooler complete with o-ring gasket

材质 Materials

元件 Components	标准 Standards
带旋入螺纹的管板 <i> Tubesheet with screw in thread</i>	黄铜/钢 <i> Brass/Steel treated</i>
管道 <i> Tubes</i>	铜/铜镍合金/不锈钢 <i> Copper/Copper Nickel/Stainless steel</i>
管道分离片 <i> Tube separator</i>	塑料 <i> Plastics</i>
盖 <i> Caps</i>	黄铜/钢 <i> Brass/Steel treated</i>
垫片 <i> Gasket</i>	NBR芳纶纤维 <i> Aramid fibres with NBR</i>
O-型垫片 <i> O-Ring-Gasket</i>	NBR橡胶 <i> NBR</i>

尺寸 Dimensions



A	B	C	D	E	F	G	H	I	K	L	SW
G 1¼"	100 – 1000 mm	20	3	–	60	60	24	G ¼"	20	41	55
G 1½"	100 – 1600 mm	18	4	75	65	65	34	G ½"	20	46	65
G 2"	100 – 2100 mm	25	4	104	86	86	44	G ¾"	27	58	90

最大流速

Maximum flow rate volumes

型号 Type	水(l/min) Water (l/min)		
	Cu	CuNi	14.404
G 1¼"	10	15	20
G 1½"	19	28	38
G 2"	30	45	60

订单代码示例 Order Code Example

ESK – G 1½" – MS – CN – 600 – S

